

FBLD-1064-10W-FC200-15Pin

Fiber-coupled High Power Laser Diode

- Features:** CW Output Power 10W
Fiber Core Diameter 200µm / NA 0.22
- Options:** Red or Green Aiming Beam
Thermistor / Photodiode / TEC
Fiber Detection Sensor

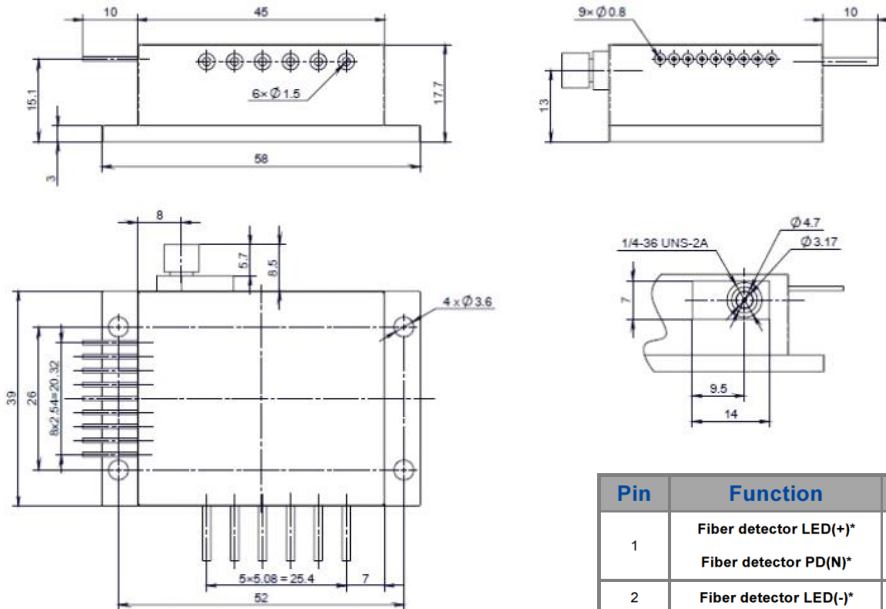
Optical Data	
CW Output Power (W)	10
Center Wavelength λ (nm)	1064
Tolerance of λ (nm)	± 20
Spectral Width (FWHM) (nm)	<5
Temperature Drift of λ (nm/°C)	~ 0.3
Fiber Data	
Fiber Core (μm)	200
Numerical Aperture (NA)	0.22
Connector	SMA-905
Fiber Length (m)	1 \pm 0.1
Electrical Data	
Threshold Current (A)	0.6
Operation Current (A)	9.5
Conversion Efficiency (%)	44
Slope Efficiency (W/A)	1.1
Operation Voltage (V)	3
Reverse Voltage (V)	5
TEC Data	
Max. Current (A)	10
Max. Voltage (V)	7.34

*Need to be specified

Aiming Beam Data*		
Output Power (mW)	>2	>2
Wavelength (nm)	660	520
Voltage (V)	2.2	8
Current (mA)	<30	<160
Temperature Conditions		
Case Operation Temperature (°C)	10 – 30	
Storage Temperature (°C)	-20 - 70	
Other Parameters		
Photodiode Current (mA)	>0.1	
Thermistor (kΩ) / β (25°C)	10±5% / 3477	
Laser Head Dimensions (mm) (Fiber and connector not included)	58 x 39 x 17.7	
Lead Soldering Temperature (°C)	260 (10s)	

*Need to be specified

Package Dimensions (mm)



Pin	Function	Pin	Function
1	Fiber detector LED(+)* Fiber detector PD(N)*	9	Thermistor *
2	Fiber detector LED(-)*	10	TEC(-)*
3	Fiber detector PD(P)*	11	LD(+)
4	Aiming beam (+)*	12	LD(-)
5	Aiming beam (-)*	13	-
6	PD(N)*	14	-
7	PD(P)*	15	TEC(+)*
8	Thermistor*	-	-